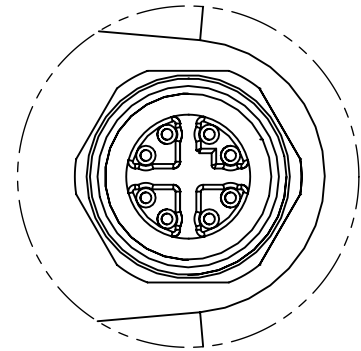
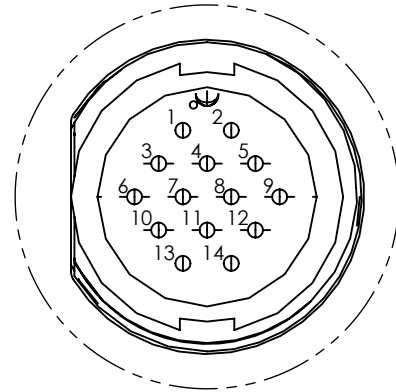


ENET	
M12-X/F	
1	A+
2	A-
3	B+
4	B-
5	D+
6	D-
7	C-
8	C+



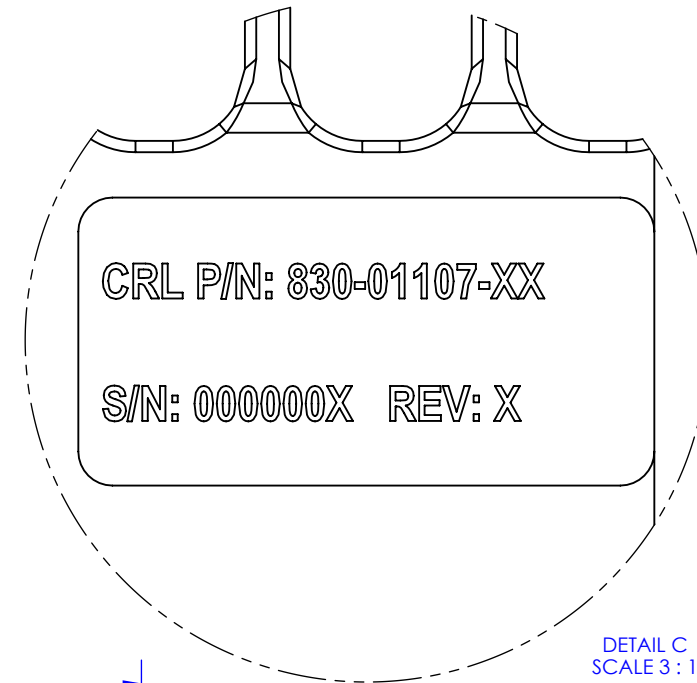
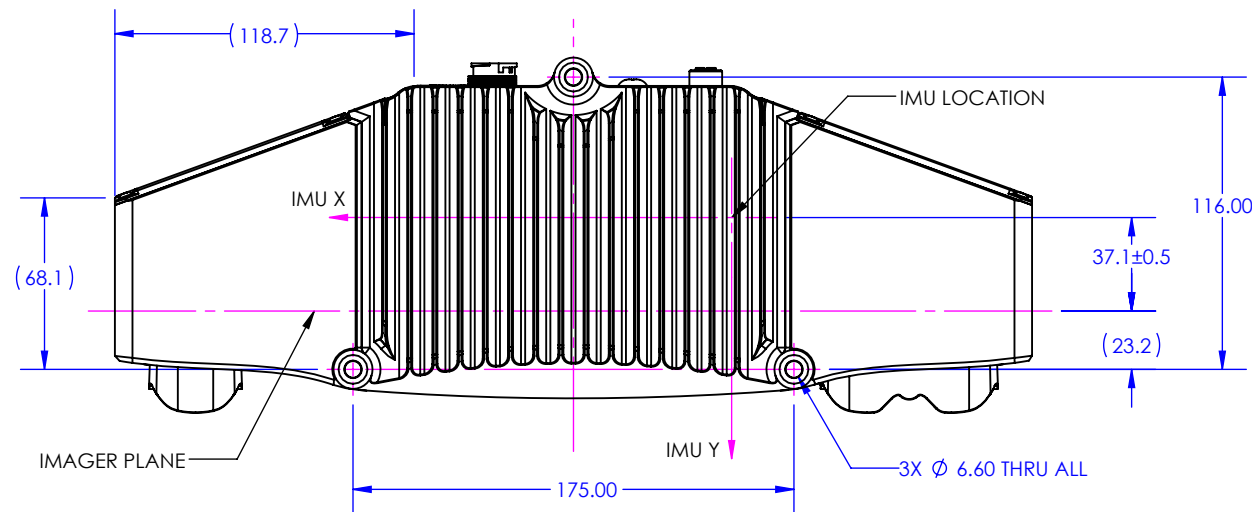
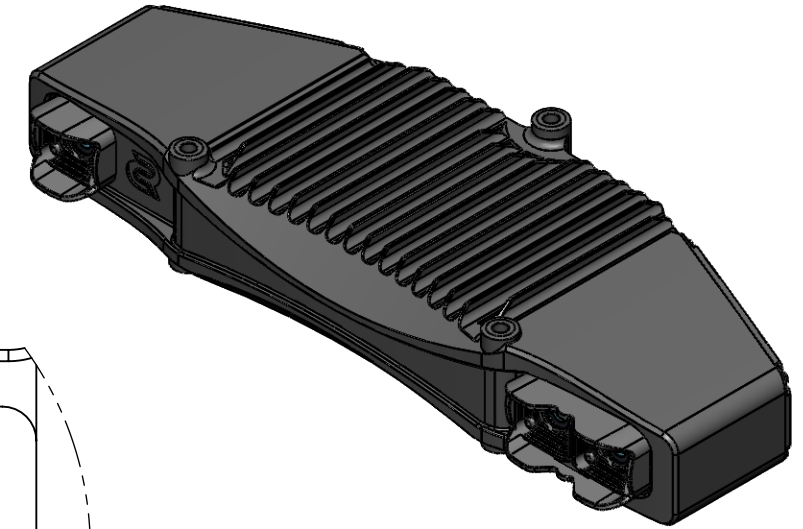
DETAIL A
SCALE 2:1



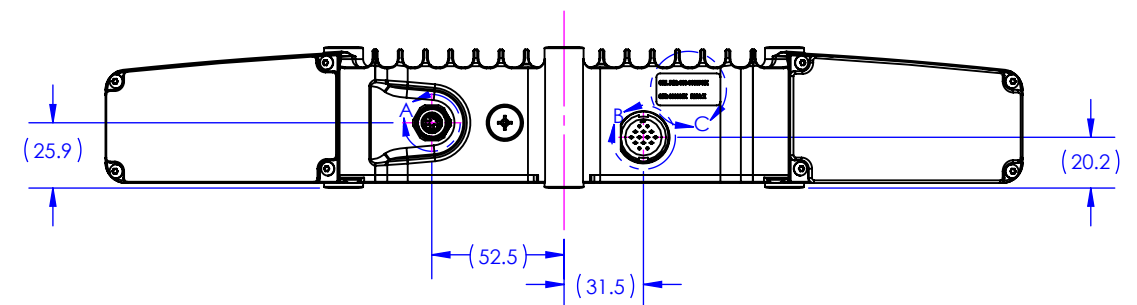
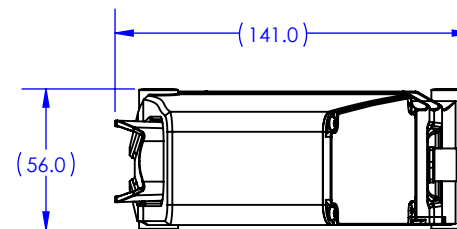
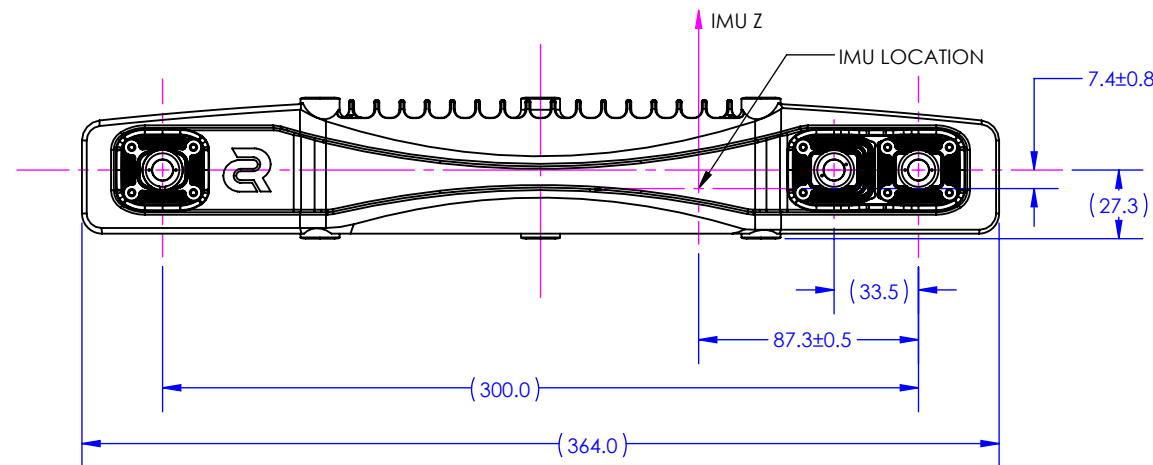
DETAIL B
SCALE 2:1

PWR	
AMPHENOL LTW CD-14PMMP-LC7001	
1	OPTICAL RETURN
2	OPTICAL OUT 1
3	NC
4	VIN-
5	OPTICAL OUT 2
6	NC
7	VIN+
8	VIN+
9	OPTICAL IN 1
10	N RESET
11	VIN-
12	OPTICAL IN 2
13	CAN L
14	CAN H

REVISION HISTORY			
REV	DESCRIPTION	DATE	APPROVED
A	INITIAL RELEASE	2022-03-29	AJG



DETAIL C
SCALE 3:1



ITEM NO.	QTY.	TOP LEVEL PART NUMBER	TOP LEVEL DESCRIPTION	PART NUMBER	DESCRIPTION
1	1	960-00234-00	GENERIC S30, ICD, WITH IMU	830-01107-00	ASSY, STEREO, 30CM, 3CAM, ZU5, GENERIC, WITH IMU
1	1	960-00234-01	GENERIC S30, ICD, WITHOUT IMU	830-01107-01	ASSY, STEREO, 30CM, 3CAM, ZU5, GENERIC, WITHOUT IMU

NOTES (UNLESS OTHERWISE SPECIFIED):

- WEIGHT: ~2.60 KG
- COLOR: BLACK
- MONOCHROME LENS FOV: 91° HFOV, 54° VFOV
- COLOR LENS FOV: 91° HFOV, 53° VFOV
- INPUT VOLTAGE: 9-48 VDC
- OPERATING TEMP: -40~80 C
- ENVIRONMENTAL SEALING: IP67 WITH CONNECTOR MATED
- USE TORQUE WRENCH TO TIGHTEN MATING M12 CABLE NUT TO 0.4 Nm MIN

Carnegie Robotics
 4501 HATFIELD STREET
 PITTSBURGH, PA 15201
 CARNEGIEROBOTICS.COM
 CAGE CODE: 4QND3
 THE INFORMATION CONTAINED IN THIS DRAWING IS THE SOLE PROPERTY OF CARNEGIE ROBOTICS LLC. ANY REPRODUCTION IN PART OR AS A WHOLE WITHOUT THE WRITTEN PERMISSION OF CARNEGIE ROBOTICS LLC IS PROHIBITED.

	ENGR	DATE
DRAWN	DR	2022-01-13
CHECKED	AJG	2022-04-11
ENGR	DR	2022-01-13
APPROVED	AJG	2022-04-11

UNLESS OTHERWISE SPECIFIED DIMENSIONS ARE IN MILLIMETERS
 TOLERANCES: ANGULAR ± 0.5° SURFACE FINISH: 1.6
 X ± 1.3
 X.X ± 0.5
 X.XX ± 0.13

GENERIC S30, ICD		REV	A
SIZE	B	PART NUMBER	960-00234
MATERIAL	N/A	FINISH	N/A
DO NOT SCALE		SHEET 1 OF 1	